



SUBMITTAL COVER SHEET

PROJECT NAME _____
 LOCATION _____
 ARCHITECT _____
 ENGINEER _____
 CONTRACTOR _____
 SUBMITTED BY _____ DATE _____

UNIT SUMMARY

Quantity						
Unit Designation						
Model No.						
Total Cooling						
Sensible Cooling						
Air Ent. Evaporator						
Air Lvg. Evaporator						
Heating Input						
Heating Output						
CFM/ESP						
EER/SEER						
Electrical						
Minimum Ampacity						
Min.-Max. Breaker						
Net Unit Weight						
Accessory						
Catalog Form Number						

ACCESSORIES:

NOTES:

SUBMITTAL SHEET FOR RAWL- SERIES 10, 12.5, 15 & 20 TONS [35.17, 44.0, 52.8 & 70.3 kW] HIGH EFFICIENCY CONDENSING UNITS



JOB NAME _____ LOCATION _____
 CONTRACTOR _____ ORDER NO. _____
 ENGINEER _____ UNIT MODEL NO. _____
 SUBMITTED FOR APPROVAL RECORD COIL MODEL NO. _____
 DATE _____ AIR HANDLER MODEL NO. _____

UNIT DATA

COOLING PERFORMANCE

TOTAL CAPACITY* MBH [kW]
 SENSIBLE CAPACITY* MBH [kW]
 OUTDOOR DESIGN TEMP. °F [°C] DB
 TEMP. OF AIR ENTERING
 EVAPORATOR COIL °F [°C] DB
 °F [°C] WB
 POWER INPUT REQUIREMENT kW
 (*uses blower motor heat)

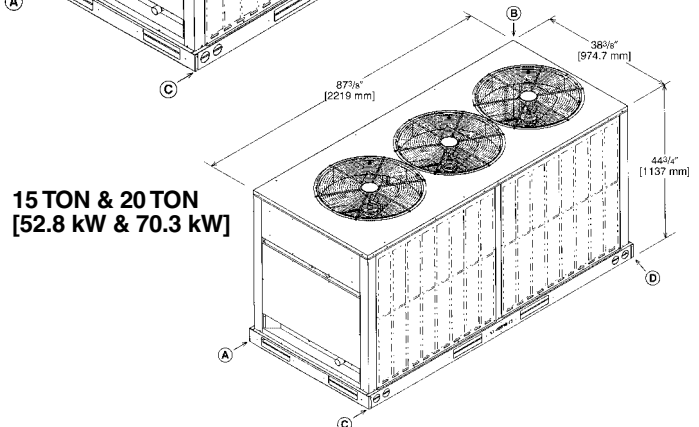
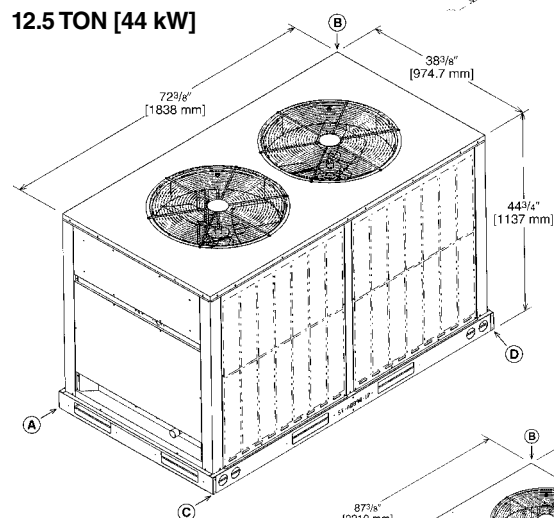
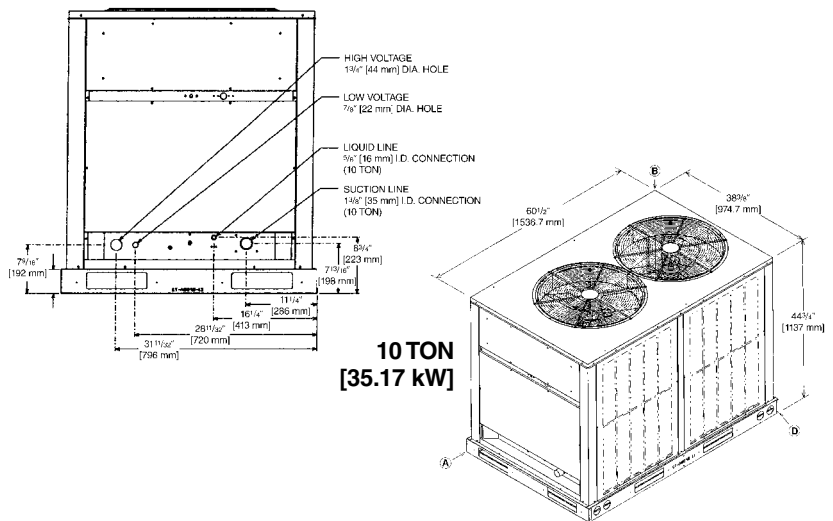
ELECTRICAL DATA

POWER SUPPLY Hz
 TOTAL UNIT AMPACITY AMPS
 MAXIMUM OVERCURRENT DEVICE
 FUSES/HACR BREAKER AMPS

CLEARANCES

SERVICE ACCESS SIDE 36" [914 mm]
 ENDS 24" [610 mm]
 ABOVE UNIT 60" [1524 mm]

CONTROL ACCESS SIDE VIEW - ALL MODELS



CORNER WEIGHTS (LBS.) [kg]

MODEL	TOTAL WEIGHT LBS. [kg]	Corner Weights, Lbs. [kg]			
		A	B	C	D
RAWL-120	501 [227]	123 [56]	132 [60]	119 [54]	127 [58]
RAWL-125	586 [266]	144 [65]	154 [70]	139 [63]	149 [67]
RAWL-150	650 [295]	160 [72]	171 [78]	154 [70]	165 [75]
RAWL-180	746 [338]	183 [83]	196 [89]	177 [80]	189 [86]
RAWL-240	952 [432]	234 [106]	251 [114]	226 [103]	241 [110]

[] Designates Metric Conversions



FEATURES FOR RAWL- CONDENSING UNITS 10, 12.5, 15 & 20 TONS [35.17, 44.0, 52.8 & 70.3 kW]

CABINET—Galvanized steel with powder coat paint finish. The powder coat paint finish is high gloss, durable and capable of withstanding a 1000-HR salt spray test per ASTM B117. The unit is of the frame and panel type of construction which allows all access panels to be opened or removed without affecting the structural strength of the unit. Fastening screws are also of the 1000-HR type. Stamped louver panels offer 100% protection for the condenser coil.

BASE PAN—Galvanized steel with powder coat paint finish.

COMPRESSORS—The compressor is highly efficient single or tandem scroll compressor set on all models. They are engineered for long life and durability. Unloading (50%) is available on all tandem models. All compressors have inherent high temperature protection. They are mounted on isolators which reduce vibration and noise transmission.

CONDENSER COIL—Constructed with copper tubes and aluminum fins mechanically bonded to the tubes for maximum heat transfer capabilities. All coil assemblies are leak tested up to 450 PSIG [3100 kPa] internal pressure.

REFRIGERANT CONNECTIONS—All field sweat joints are made external of the unit and are located close to the ground for a neat looking installation.

CRANKCASE HEATERS—Standard on all models.

LOW AMBIENT CONTROL—A pressure sensitive fan cycling control allows operation down to 0°F [-17.8°C].

SERVICE VALVES—Standard on liquid line and suction line for all models.

SERVICE ACCESS—Control box with separate line and control voltages, as well as compressor and other refrigerant controls are accessible through access panels. An electrical access cover may be opened or removed without affecting normal operation of the unit. Condenser fan motors are equipped with molded plugs for easy removal. Louver panels and end access panel can be removed for coil cleaning.

HIGH PRESSURE CONTROL—Manual reset control deactivates system (opens contactor circuit) if abnormally high pressure occurs.

LOW PRESSURE CONTROL—Automatic reset control deactivates system if abnormally low pressure or refrigerant loss occurs.

CONDENSER FAN MOTORS—Direct drive, single-phase permanently lubricated "PSC" motors with inherent thermal overload.

TRANSFORMER—75VA step-down type, line to 24 volts.

CONTACTOR—An electrical switch which operates the compressor and condenser fans. Its 24 volt coil is activated through the high pressure control and low pressure control on a call for cooling.

TESTING—All units are run-tested at the factory prior to shipment. Units are shipped with a nitrogen holding charge.

EQUIPMENT GROUND—Lug for field connection of ground wire.

FILTER/DRIER—Factory installed.

[] Designates Metric Conversions

FIELD INSTALLED ACCESSORIES

Anti-Short Cycle Timer Kit Liquid Line Solenoid Valve.....
Sight Glass.....

SPECIAL NOTES ON EQUIPMENT:

Before proceeding with installation, refer to installation instructions packaged with each model, as well as complying with all Federal, State, Provincial, and Local codes, regulations, and practices.

Rheem Sales Company, Inc.
P.O. Box 17010, Fort Smith, AR 72917

"In keeping with its policy of continuous progress and product improvement, Rheem reserves the right to make changes without notice."